



SSD1673

Product Preview

Active Matrix EPD 150 x 250 Display Driver with Controller

This document contains information on a product under development. Solomon Systech reserves the right to change or discontinue this product without notice.

<http://www.solomon-systech.com>

SSD1673

Rev 0.21 | P 1/46 | Nov 14

Copyright © 2014 **Solomon Systech Limited**



Appendix: IC Revision history of SSD1673 Specification

Revision	Change Items	Effective Date
0.10	Initial Release	09-Apr-14
0.11	- Updated Section 7 Command Table - Added VCOM OTP Program and WS OTP Program in Section 9 Typical Operating Sequence	07-Jul-14
0.12	- Updated Section 11 DC CHARACTERISTICS - Added Section 14.1 DIE TRAY DIMENSIONS	20-Aug-14
0.20	- Revised the LUT format and corresponding OTP content mapping.	20-Nov-14
0.21	- Added Panel Break Detection	24-Nov-14

CONTENTS

1	GENERAL DESCRIPTION	5
2	FEATURES.....	5
3	ORDERING INFORMATION	6
4	BLOCK DIAGRAM	6
5	PIN DESCRIPTION	7
6	FUNCTIONAL BLOCK DESCRIPTION.....	10
6.1	MCU INTERFACE.....	10
6.1.1	MCU Interface selection.....	10
6.1.2	MCU Serial Peripheral Interface (4-wire SPI).....	11
6.1.3	MCU Serial Peripheral Interface (3-wire SPI).....	12
6.2	RAM	13
6.3	OSCILLATOR	13
6.4	BOOSTER & REGULATOR.....	14
6.5	PANEL DRIVING WAVEFORM.....	15
6.6	GATE AND PROGRAMMABLE SOURCE WAVEFORM	16
6.7	WAVEFORM LOOK UP TABLE (LUT).....	17
6.8	OTP.....	18
6.9	TEMPERATURE SEARCHING MECHANISM	20
6.10	TEMPERATURE REGISTER MAPPING	21
6.11	PANEL BREAK DETECTION	21
7	COMMAND TABLE	22
8	COMMAND DESCRIPTION.....	29
8.1	DRIVER OUTPUT CONTROL (01H).....	29
8.2	GATE SCAN START POSITION (0FH).....	32
8.3	DATA ENTRY MODE SETTING (11H).....	33
8.4	SET RAM X - ADDRESS START / END POSITION (44H)	34
8.5	SET RAM Y - ADDRESS START / END POSITION (45H)	34
8.6	SET RAM ADDRESS COUNTER (4EH-4FH)	34
9	TYPICAL OPERATING SEQUENCE.....	35
9.1	NORMAL DISPLAY	35
9.2	VCOM OTP PROGRAM	36
9.3	WS OTP PROGRAM	37
10	ABSOLUTE MAXIMUM RATING	38
11	DC CHARACTERISTICS.....	39
12	AC CHARACTERISTICS.....	41
12.1	OSCILLATOR FREQUENCY	41
12.2	INTERFACE TIMING.....	42
13	APPLICATION CIRCUIT	43
14	PACKAGE INFORMATION.....	45
14.1	DIE TRAY DIMENSIONS	45

TABLES

TABLE 3-1 : ORDERING INFORMATION	6
TABLE 5-1 : MCU INTERFACE SELECTION	8
TABLE 6-1 : MCU INTERFACE SELECTION BY BS0 AND BS1	10
TABLE 6-2 : MCU INTERFACE ASSIGNMENT UNDER DIFFERENT BUS INTERFACE MODE	10
TABLE 6-3 : CONTROL PINS OF 4-WIRE SERIAL PERIPHERAL INTERFACE.....	11
TABLE 6-4 : CONTROL PINS OF 3-WIRE SERIAL PERIPHERAL INTERFACE.....	12
TABLE 6-5 : RAM ADDRESS MAP	13
TABLE 7-1: COMMAND TABLE	22
TABLE 10-1: MAXIMUM RATINGS	38
TABLE 11-1: DC CHARACTERISTICS.....	39
TABLE 11-2: REGULATORS CHARACTERISTICS.....	40
TABLE 12-1: OSCILLATOR FREQUENCY.....	41
TABLE 12-2 : SERIAL PERIPHERAL INTERFACE TIMING CHARACTERISTICS.....	42
TABLE 13-1 : REFERENCE COMPONENT VALUE.....	44

FIGURES

FIGURE 4-1 : SSD1673 BLOCK DIAGRAM.....	6
FIGURE 6-1 : WRITE PROCEDURE IN 4-WIRE SERIAL PERIPHERAL INTERFACE MODE.....	11
FIGURE 6-2 : WRITE PROCEDURE IN 3-WIRE SERIAL PERIPHERAL INTERFACE MODE.....	12
FIGURE 6-3 : INPUT AND OUTPUT VOLTAGE RELATION CHART	14
FIGURE 6-4 : VPIXEL DEFINITION	15
FIGURE 6-5 : THE RELATION OF VPIXEL WAVEFORM WITH GATE AND SOURCE	15
FIGURE 6-6 : PROGRAMMABLE SOURCE AND GATE WAVEFORM ILLUSTRATION.....	16
FIGURE 6-7 : VS[N-XY] AND TP[N] MAPPING IN LUT.....	17
FIGURE 6-8 : OTP CONTENT AND ADDRESS MAPPING.....	19
FIGURE 6-9 : WAVEFORM SETTING AND TEMPERATURE RANGE # MAPPING	20
FIGURE 6-10 : PANEL ITO ROUTING EXAMPLE FOR PANEL BREAK DETECTION	21
FIGURE 8-1: OUTPUT PIN ASSIGNMENT ON DIFFERENT SCAN MODE SETTING.....	30
FIGURE 8-2: EXAMPLE OF SET DISPLAY START LINE WITH NO REMAPPING	32
FIGURE 12-1 : SERIAL PERIPHERAL INTERFACE CHARACTERISTICS	42
FIGURE 13-1 : BOOSTER CONNECTION DIAGRAM.....	43
FIGURE 14-1 : SSD1673Z DIE TRAY INFORMATION.....	45

1 GENERAL DESCRIPTION

The SSD1673 is a CMOS active matrix bistable display driver with controller. It consists of 150 source outputs, 250 gate outputs, 1 VCOM and 1 VBD for border that can support a maximum display resolution 150x250.

The SSD1673 embeds booster, regulators and oscillator. Data/Commands are sent from general MCU through the hardware selectable Serial Peripheral Interface.

2 FEATURES

- Design for dot matrix type active matrix EPD display, support mono color for black/white
- Resolution: 150 source outputs; 250 gate outputs; 1 VCOM; 1VBD for border
- Power supply
 - VCI: 2.4 to 3.7V
 - VDDIO: Connect to VCI
 - VDD: 1.8V, regulate from VCI supply
- Gate driving output voltage:
 - 2 levels output (VGH, VGL)
 - Max 42Vp-p
 - VGH: 22V
 - VGL: -20V
- Source / VBD driving output voltage:
 - 3 levels output (VSH, VSS, VSL)
 - VSH: 15V
 - VSL: -15V
- Low current deep sleep mode
- Support mono color for black/white
- On chip display RAM with double display buffer
- On-chip oscillator
- On-chip booster and regulator control for generating VCOM, Gate and Source driving voltage
- Serial peripheral interface available
- Available in COG package

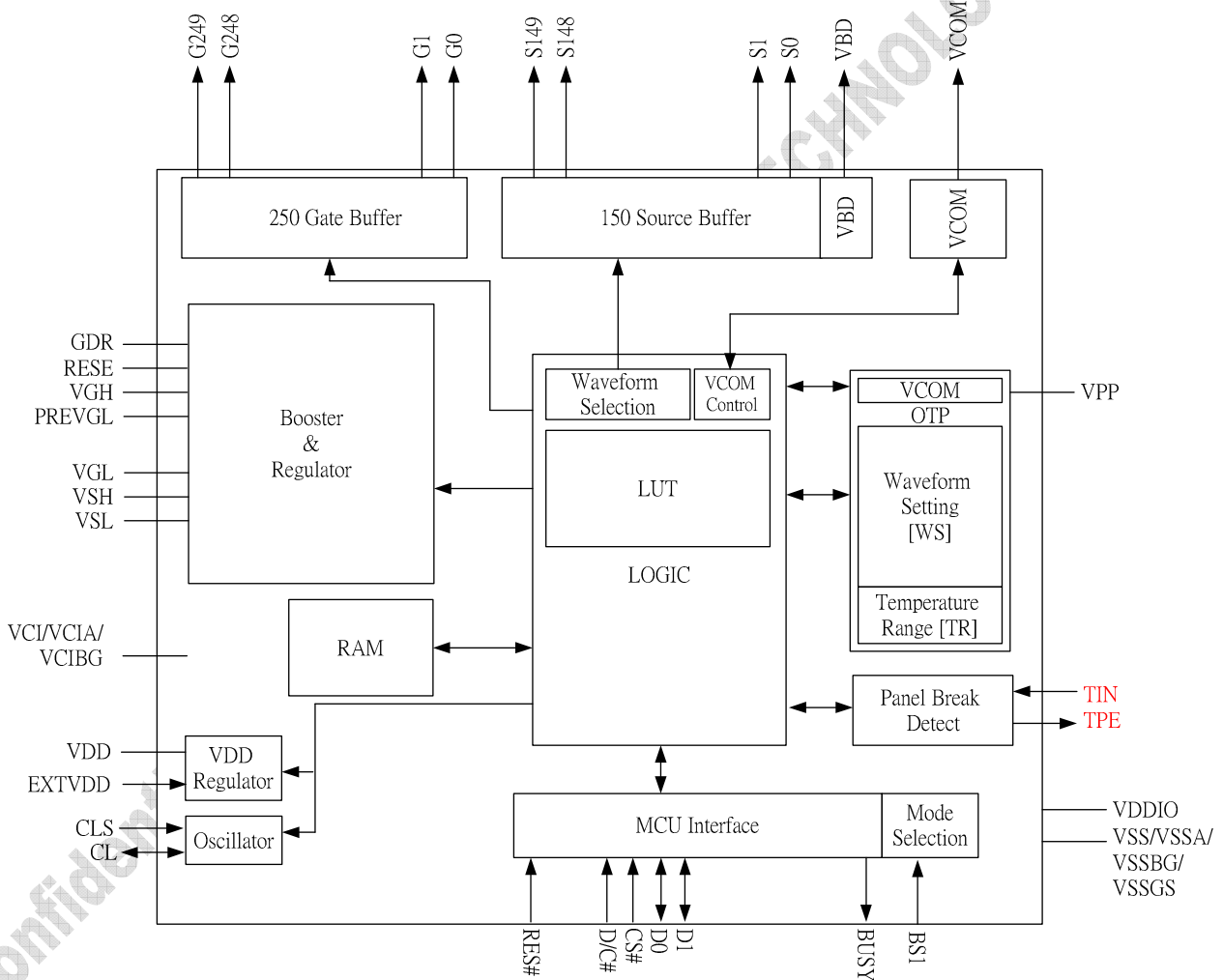
3 ORDERING INFORMATION

Table 3-1 : Ordering Information

Ordering Part Number	Package Form	Reference	Remark
SSD1673Z	Gold Bump Die		300um die thickness.

4 BLOCK DIAGRAM

Figure 4-1 : SSD1673 Block Diagram



5 PIN DESCRIPTION

Key: I = Input, O =Output, IO = Bi-directional (input/output), P = Power pin, C = Capacitor Pin
 NC = Not Connected, Pull L =connect to V_{SS}, Pull H = connect to V_{DDIO}

Pin name	Type	Connect to	Function	Description	When not in use
Input power					
VCI	P	Power Supply	Power Supply	Power Supply for the chip.	-
VCIA	P	Power Supply	Power Supply	Power input for the chip, Connected with VCI.	-
VCIBG	P	Power Supply	Power Supply	Power input for the chip (Reference), Connected with VCI.	-
VDDIO	P	Power Supply	Power for interface logic pins	Power Supply for the Interface, it should be connected with VCI.	-
VDD	P	Capacitor	Regulator output	Core logic power pin. VDD can be regulated internally from VCI. - A capacitor should be connected between VDD and VSS under all circumstances.	-
EXTVDD	I	VDDIO	Regulator bypass	This pin is VDD regulator bypass pin. - EXTVDD should be connected to VSS.	-
VSS	P	VSS	GND	Ground (Digital).	-
VSSA	P	VSS	GND	Ground (Analog). It should be connected with VSS.	-
VSSBG	P	VSS	GND	Ground (Reference). Connected with VSS.	-
VSSGS	P	VSS	GND	Ground (Output). Connected with VSS.	-
VPP	P	Power Supply	OTP power	Power Supply for OTP Programming.	Open

Digital I/O											
D [1:0]	I/O	MPU	Data Bus	SPI mode: D0: SCLK D1: SDIN	-						
CS#	I	MPU	Logic Control	This pin is the chip select input connecting to the MCU.	VDDIO or VSS						
D/C#	I	MPU		This pin is Data/Command control pin connecting to the MCU.	VDDIO or VSS						
RES#	I	MPU	System Reset	This pin is reset signal input. Active Low.	-						
BUSY	O	MPU	Device Busy Signal	This pin is Busy state output pin. When Busy is High, the operation of the chip should not be interrupted, and command should not be sent.	Open						
CLS	I	VDDIO/ VSS	Clock Mode Selection	CLS pin should be connected to VDDIO.	-						
BS1	I	VDDIO/ VSS	MCU Interface Mode Selection	These pins are for selecting different bus interface. Table 5-1 : MCU interface selection <table border="1" data-bbox="730 862 1337 987"> <thead> <tr> <th>BS1</th> <th>MPU Interface</th> </tr> </thead> <tbody> <tr> <td>L</td> <td>4-lines serial peripheral interface (SPI)</td> </tr> <tr> <td>H</td> <td>3-lines serial peripheral interface (SPI) – 9 bits SPI</td> </tr> </tbody> </table>	BS1	MPU Interface	L	4-lines serial peripheral interface (SPI)	H	3-lines serial peripheral interface (SPI) – 9 bits SPI	-
BS1	MPU Interface										
L	4-lines serial peripheral interface (SPI)										
H	3-lines serial peripheral interface (SPI) – 9 bits SPI										
Analog Pin											
GDR	O	POWER MOSFET Driver Control	VGH & PREVGL Generation	This pin is the N-Channel MOSFET Gate Drive Control.	-						
RESE	I	Booster Control Input		This pin is the Current Sense Input for the Control Loop.	-						
VGH	C	Stabilizing capacitor	VGL Generation	This pin is the Positive Gate driving voltage and the Power Supply pin for VSH. A stabilizing capacitor should be connected between VGH and VSS.	-						
PREVGL	C	Stabilizing capacitor		This pin is the Power Supply pin for VGL and VSL. A stabilizing capacitor should be connected between PREVGL and VSS.	-						
VGL	C	Stabilizing capacitor	VSH, VSL Generation	This pin is the Negative Gate driving voltage. A stabilizing capacitor should be connected between VGL and VSS.	-						
VSH	C	Stabilizing capacitor		This pin is the Positive Source driving voltage. A stabilizing capacitor should be connected between VSH and VSS.	-						
VSL	C	Stabilizing capacitor		This pin is the Negative Source driving voltage and the Power Supply pin for VCOM. A stabilizing capacitor should be connected between VSL and VSS.	-						
VCOM	C	Panel/ Stabilizing capacitor	VCOM	This pin is the VCOM driving voltage A stabilizing capacitor should be connected between VCOM and VSS.	-						

Panel Driving					
S [149:0]	O	Panel	Source driving signal	Source output pin.	Open
G [249:0]	O	Panel	Gate driving signal	Gate output pin.	Open
VBD	O	Panel	Border driving signal	Border output pin.	Open
Panel Break Detection					
TIN	I	Panel	Panel Break Detection	TIN is the sensing pin for panel break detection. Connect to TPE through ITO.	-
TPE	O	Panel		TPE is the output pin for panel break detection. Connect to TIN through ITO.	-
Others					
NC	NC	NC	Not Connected	Keep open. Don't connect to NC pin or other test pins including TPA, TPB, TPC, TPD, TPF, TOUT1, TIN1 and TIN2.	Open
TPA, TPB, TPC, TPD, TPF, TOUT1	NC	NC	Reserved for Testing	Keep open. Don't connect to NC pin or other test pins including TPA, TPB, TPC, TPD, TPF, TOUT1, TIN1 and TIN2.	Open
TIN1	I	VDDIO	Reserved for Testing	Connect to VDDIO.	VDDIO
TIN2	I	VSS	Reserved for Testing	Connect to VSS.	VSS

6 FUNCTIONAL BLOCK DESCRIPTION

The device can drive an active matrix TFT EPD panel. It composes of 150 source outputs, 250 gate outputs, 1 VBD and 1 VCOM. It contains flexible built-in waveforms to drive the EPD panel.

6.1 MCU Interface

6.1.1 MCU Interface selection

The SSD1673 can 3-wire/4-wire serial peripheral Interface. In the SSD1673, the MCU interface is pin selectable by BS1 pins shown in Table 6-2. .

Table 6-1 : MCU interface selection by BS0 and BS1

BS1	MPU Interface
L	4-lines serial peripheral interface (SPI)
H	3-lines serial peripheral interface (SPI) – 9 bits SPI

The MCU interface consists of 8 data pins and 5 control pins. The pin assignment at different interface mode is summarized in Table 6-2.

Table 6-2 : MCU interface assignment under different bus interface mode

Pin Name	Data/Command Interface		Control Signal		
	D1	D0	CS#	D/C#	RES#
SPI4	SDin	SCLK	CS#	D/C#	RES#
SPI3	SDin	SCLK	CS#	L	RES#

Note

- (1) L is connected to V_{SS}
- (2) H is connected to V_{DDIO}

6.1.2 MCU Serial Peripheral Interface (4-wire SPI)

The serial interface consists of serial clock SCLK, serial data SDIN, D/C#, CS#. In SPI mode, D0 acts as SCLK, D1 acts as SDIN.

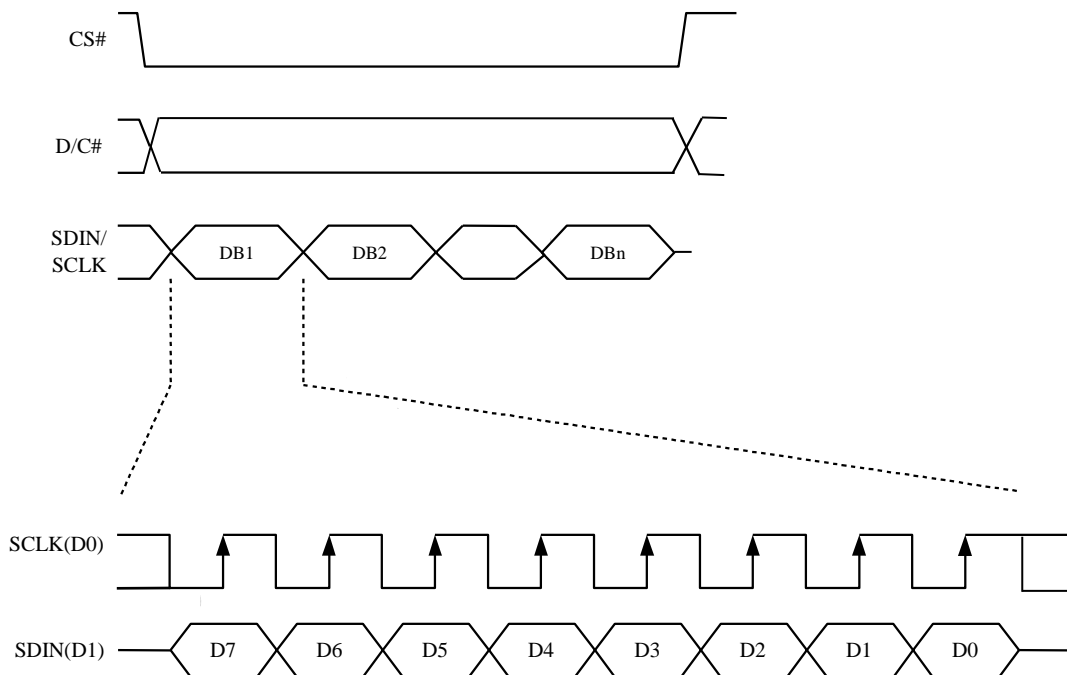
Table 6-3 : Control pins of 4-wire Serial Peripheral interface

Function	CS#	D/C#	SCLK
Write command	L	L	↑
Write data	L	H	↑

Note: ↑ stands for rising edge of signal

SDIN is shifted into an 8-bit shift register on every rising edge of SCLK in the order of D7, D6, ... D0. D/C# should be kept over the whole byte. The data byte in the shift register is written to the Graphic Display Data RAM (RAM)/Data Byte register or command Byte register according to D/C# pin.

Figure 6-1 : Write procedure in 4-wire Serial Peripheral Interface mode



6.1.3 MCU Serial Peripheral Interface (3-wire SPI)

The 3-wire serial interface consists of serial clock SCLK, serial data SDIN and CS#.

In 3-wire SPI mode, D0 acts as SCLK, D1 acts as SDIN.

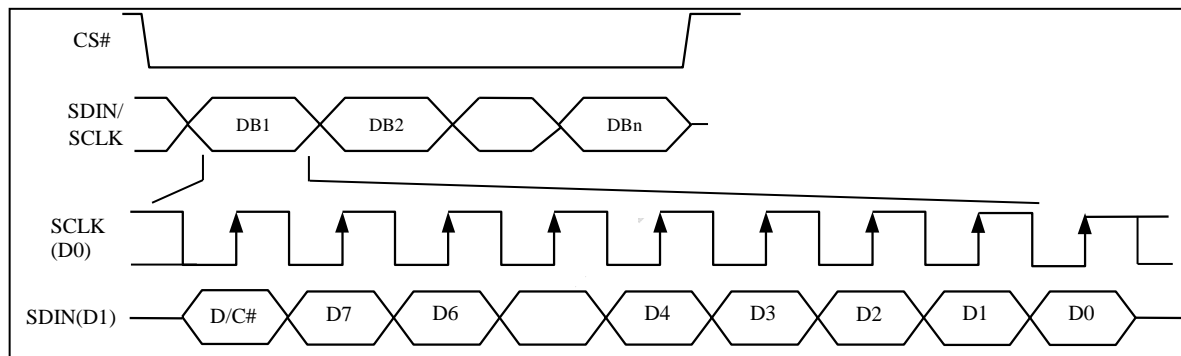
The operation is similar to 4-wire serial interface while D/C# pin is not used. There are altogether 9-bits will be shifted into the shift register on every ninth clock in sequence: D/C# bit, D7 to D0 bit. The D/C# bit (first bit of the sequential data) will determine the following data byte in the shift register is written to the Display Data RAM (D/C# bit = 1) or the command register (D/C# bit = 0). Under serial mode, only write operations are allowed.

Table 6-4 : Control pins of 3-wire Serial Peripheral interface

Function	E(RD#)	R/W#(WR#)	CS#	D/C#	SCLK
Write command	Tie LOW	Tie LOW	L	Tie LOW	↑
Write data	Tie LOW	Tie LOW	L	Tie LOW	↑

Note: ↑ stands for rising edge of signal

Figure 6-2 : Write procedure in 3-wire Serial Peripheral Interface mode



6.2 RAM

The On chip display RAM is holding the image data. 1 set of RAM is built for historical data and the other set is built for the current image data. The size of each RAM is 150x250 bits.

Table 6-5 shows the RAM map under the following condition:

- Command “Data Entry Mode” R11h is set to:

Address Counter update in X direction	AM=0
X: Increment	ID[1:0] =11
Y: Increment	

- Command “Driver Output Control” R01h is set to

250 Mux	MUX = F9h
Select G0 as 1 st gate	GD = 0
Left and Right gate Interlaced	SM = 0
Scan From G0 to G249	TB = 0

- Command “Gate Start Position” R0Fh is set to:

Set the Start Position of Gate = G0	SCN=0
-------------------------------------	-------

- Data byte sequence: DB0, DB1, DB2 ... DB4749

Table 6-5 : RAM address map

		S0	S1	S2	S3	S4	S5	S6	S7	S144	S145	S146	S147	S148	S149	XX	XX
		00h										12h							
G0	00h	DB0 [7]	DB0 [6]	DB0 [5]	DB0 [4]	DB0 [3]	DB0 [2]	DB0 [1]	DB0 [0]	DB18 [7]	DB18 [6]	DB18 [5]	DB18 [4]	DB18 [3]	DB18 [2]	DB18 [1]	DB18 [0]
G1	01h	DB19 [7]	DB19 [6]	DB19 [5]	DB19 [4]	DB19 [3]	DB19 [2]	DB19 [1]	DB19 [0]	DB36 [7]	DB36 [6]	DB36 [5]	DB36 [4]	DB36 [3]	DB36 [2]	DB36 [1]	DB36 [0]
...
...
G248	F8h	DB4698 [7]	DB4698 [6]	DB4698 [5]	DB4698 [4]	DB4698 [3]	DB4698 [2]	DB4698 [1]	DB4698 [0]	DB4716 [7]	DB4716 [6]	DB4716 [5]	DB4716 [4]	DB4716 [3]	DB4716 [2]	DB4716 [1]	DB4716 [0]
G249	F9h	DB4717 [7]	DB4717 [6]	DB4717 [5]	DB4717 [4]	DB4717 [3]	DB4717 [2]	DB4717 [1]	DB4717 [0]	DB4749 [7]	DB4749 [6]	DB4749 [5]	DB4749 [4]	DB4749 [3]	DB4749 [2]	DB4749 [1]	DB4749 [0]

Source
X-
ADDR

GATE
Y-ADDR

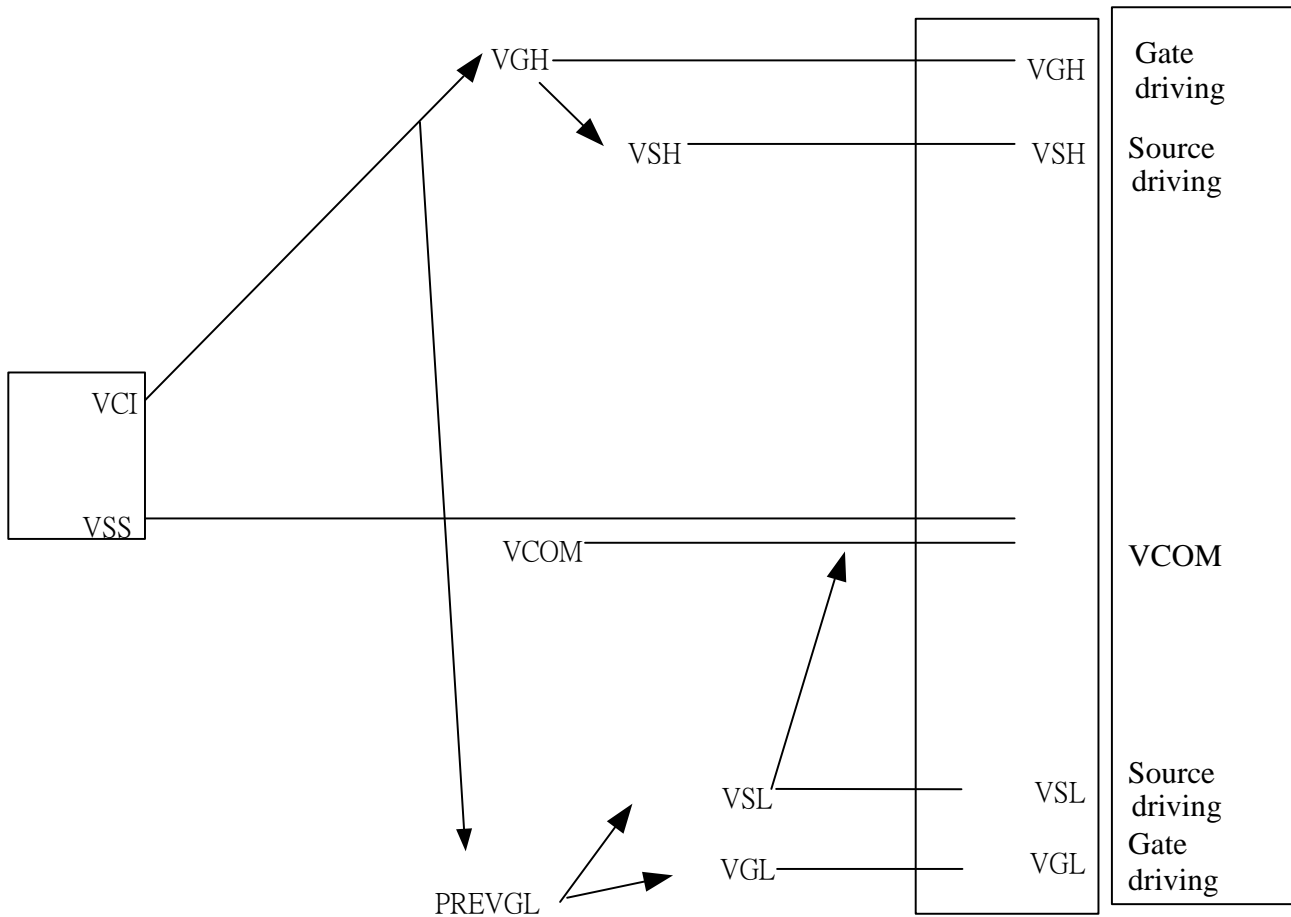
6.3 Oscillator

The on-chip oscillator is included for the use on waveform timing and Booster operations. In order to enable the internal oscillator, the CLS pin must be connected to VDDIO.

6.4 Booster & Regulator

A voltage generation system is included in the SSD1673. It provides all necessary driving voltages required for an AMEPD panel including VGH, VGL, VSH, VSL and VCOM. Figure 6-3 shows the relation of the voltages. External application circuit is needed to make the on-chip booster & regulator circuit work properly.

Figure 6-3 : Input and output voltage relation chart



- Max voltage difference between VGH and VGL is 42V.

6.5 Panel Driving Waveform

The Vpixel is defined as Figure 6-4, and its relations with GATE, SOURCE are shown Figure 6-5.

Figure 6-4 : Vpixel Definition

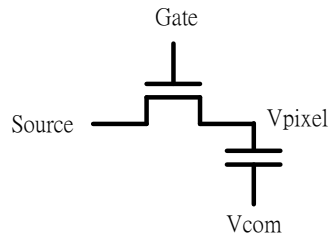
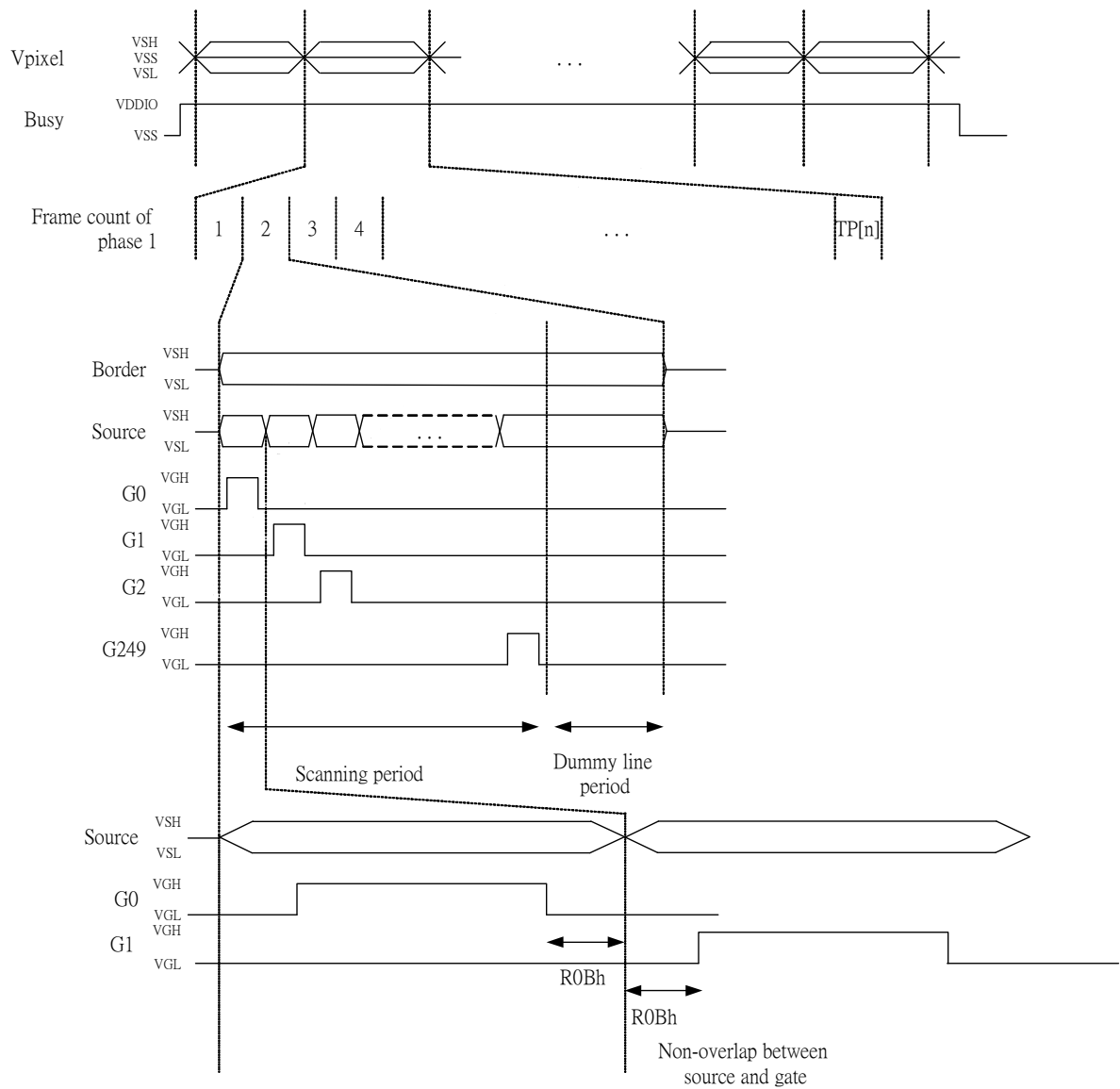


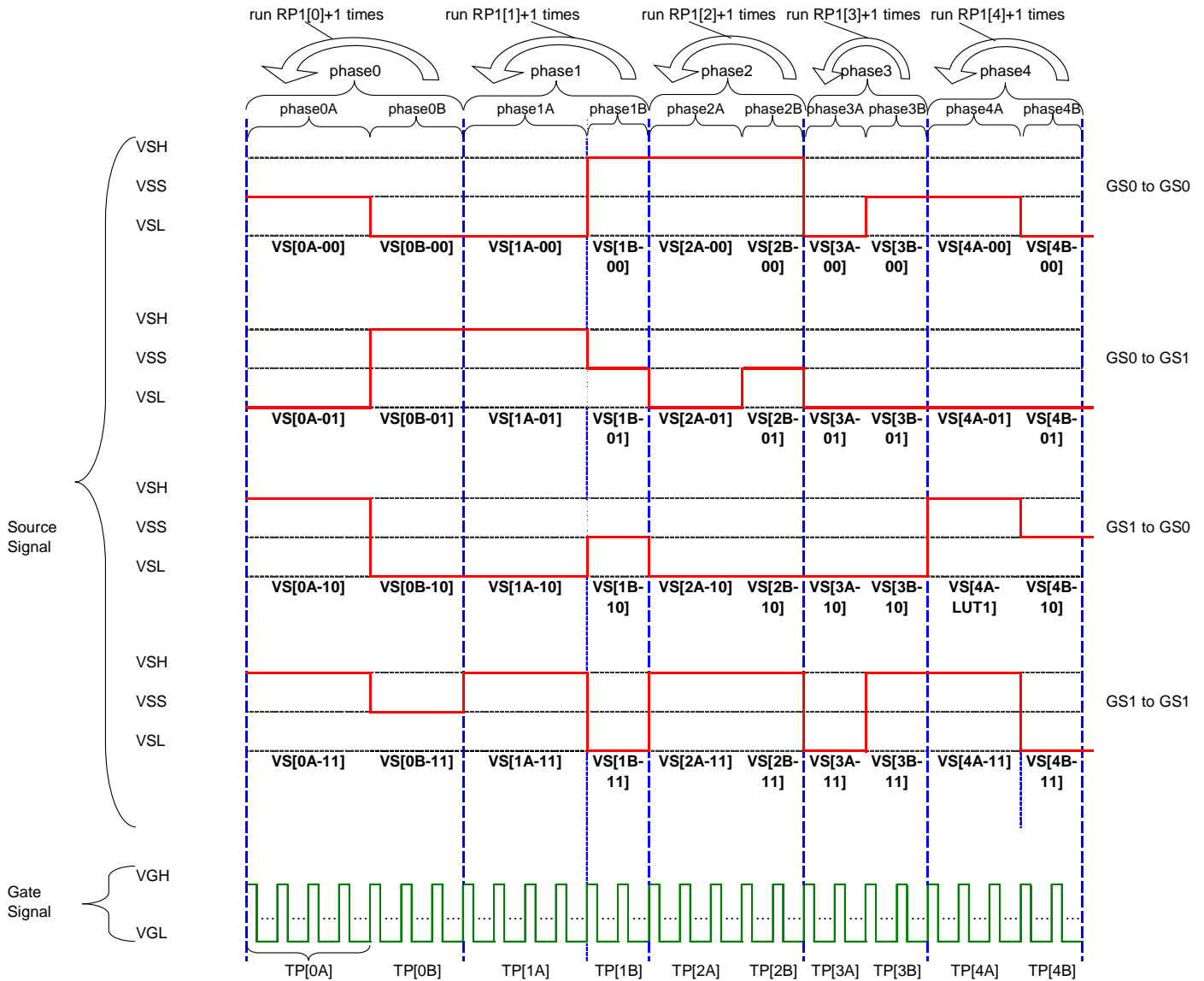
Figure 6-5 : The Relation of Vpixel Waveform with Gate and Source



6.6 Gate and Programmable Source waveform

Programmable Source waveform of different phase length would be made according to the format of Figure 6 6.

Figure 6-6 : Programmable Source and Gate waveform illustration



- There are totally 10 phases for programmable Source waveform of different phase length.
- The phase period defined as $TP [n\#] * T_{FRAME}$, where $TP [n\#]$ range from 0 to 31.
- $TP [n\#] = 0$ indicates phase skipped
- Source Voltage Level: $VS [n\#-XY]$ is constant in each phase
- The repeat counter defined as $RP[n]$, which represents repeating $TP[nA]$ and $TP[nB]$
 - $RP[n] = 0$ indicates run time =1, where $RP[n]$ range from 0 to 63.
- $VS [n-XY]$ indicates the voltage in phase n for transition from GS X to GS Y
 - 00 – VSS
 - 01 – VSH
 - 10 – VSL
- $VS [n\#-XY]$ and $TP[n\#]$ are stored in waveform lookup table register [LUT].

6.7 Waveform Look Up Table (LUT)

LUT contains 256 bits, which defines the display driving waveform settings. They are arranged in format shown in Figure 6-7.

Figure 6-7 : VS[n-XY] and TP[n] mapping in LUT

in Decimal	D7	D6	D5	D4	D3	D2	D1	D0
0	VS[0A-11]	VS[0A-10]	VS[0A-01]	VS[0A-00]				
1	VS[0B-11]	VS[0B-10]	VS[0B-01]	VS[0B-00]				
2	VS[1A-11]	VS[1A-10]	VS[1A-01]	VS[1A-00]				
...				
7	VS[3A-11]	VS[3A-10]	VS[3A-01]	VS[3A-00]				
8	VS[4A-11]	VS[4A-10]	VS[4A-01]	VS[4A-00]				
9	VS[4B-11]	VS[4B-10]	VS[4B-01]	VS[4B-00]				
10	0x00							
11	0x00							
12	0x00							
13	0x00							
14	0x00							
15	0x00							
16	RP[0]_ [2:0] Low bits			TP[0A]				
17	RP[0]_ [5:3] High bits			TP[0B]				
18	RP[1]_ [2:0] Low bits			TP[1A]				
19	RP[1]_ [5:3] High bits			TP[1B]				
20	RP[2]_ [2:0] Low bits			TP[2A]				
21	RP[2]_ [5:3] High bits			TP[2B]				
22	RP[3]_ [2:0] Low bits			TP[3A]				
23	RP[3]_ [5:3] High bits			TP[3B]				
24	RP[4]_ [2:0] Low bits			TP[4A]				
25	RP[4]_ [5:3] High bits			TP[4B]				
26	0x00							
27	0x00							
28	0x00							
29		R3A_A[6:0]						
30				R04_A[4:0] - VSH Setting				
31	DUMMY				R3B_A[3:0]			

6.8 OTP

The OTP is the non-volatile memory and is used to store the information of OTP Selection Option, VCOM value, 7 sets of WAVEFORM SETTING (WS) [256bits x 7] and 6 sets of TEMPERATURE RANGE (TR) [24bits x 6].

The OTP is the non-volatile memory and stored the information of:

- OTP Selection Option
- VCOM value
- Source value
- 7 set of WAVEFORM SETTING (WS) [256bits x 7]
- 6set of TEMPERATURE RANGE (TR) [24bits x 6]

For Programming the WS and TR, Write RAM is required, and the configurations should be

Command: Data Entry mode	C11, D03	Set Address automatic increment setting = X increment and Y increment Set Address counter update in X direction
Command: X RAM address start /end	C44, D00, D12	Set RAM Address for S0 to S149
Command: Y RAM address start /end	C45, D00, DF9	Set RAM Address for G0 to G249
Command: RAM X address counter	C4E, D00	Set RAM X AC as 0
Command: RAM Y address counter	C4F, D00	Set RAM Y AC as 0

The mapping table of OTP is shown in below figure,

Figure 6-8 : OTP Content and Address Mapping

Default OTP	SPARE OTP	WRITE RAM ADDRESS		D7	D6	D5	D4	D3	D2	D1	D0
ADDRESS	ADDRESS	X	Y								
0	256	0	0	VS[0A-11]	VS[0A-10]	VS[0A-01]	VS[0A-00]				
1	257	1	0	VS[0B-11]	VS[0B-10]	VS[0B-01]	VS[0B-00]				
2	258	0	0	VS[1A-11]	VS[1A-10]	VS[1A-01]	VS[1A-00]				
3	259	3	0	VS[1B-11]	VS[1B-10]	VS[1B-01]	VS[1B-00]				
4	260	4	0	VS[2A-11]	VS[2A-10]	VS[2A-01]	VS[2A-00]				
5	261	5	0	VS[2B-11]	VS[2B-10]	VS[2B-01]	VS[2B-00]				
6	262	6	0	VS[3A-11]	VS[3A-10]	VS[3A-01]	VS[3A-00]				
7	263	7	0	VS[3B-11]	VS[3B-10]	VS[3B-01]	VS[3B-00]				
8	264	8	0	VS[4A-11]	VS[4A-10]	VS[4A-01]	VS[4A-00]				
9	265	9	0	VS[4B-11]	VS[4B-10]	VS[4B-01]	VS[4B-00]				
10	266	10	0					0x00			
11	267	11	0					0x00			
12	268	12	0					0x00			
13	269	13	0					0x00			
14	270	14	0					0x00			
15	271	15	0					0x00			
16	272	16	0	RP[0][2:0] Low bits				TP[0A]			
17	273	17	0	RP[0][5:3] High bits				TP[0B]			
18	274	18	0	RP_TP[1]							
19	275	0	1	RP_TP[2]							
20	276	1	1	RP_TP[3]							
21	277	2	1	RP_TP[4]							
22	278	3	1	RP_TP[5]							
23	279	4	1	RP_TP[6]							
24	280	5	1	RP_TP[7]							
25	281	6	1	RP_TP[8]							
26	282	7	1	0x00							
27	283	8	1	0x00							
28	284	9	1	0x00							
29	285	10	1	R3A_A[6:0]							
30	286	11	1	DUMMY				R04_A[4:0] - VSH Setting			
31	287	12	1	DUMMY				R3B_A[3:0]			
32	288	13	1	WS[1]							
				...							
192	448	2	10	WS[6]							
				...							
223	479	14	11	TEMP[1-L][11:0]							
224	480	15	11	TEMP[1-H][11:0]							
225	481	16	11	TEMP[2-L][11:0]							
226	482	17	11	TEMP[2-H][11:0]							
227	483	18	11	TEMP[3-L][11:0]							
228	484	0	12	TEMP[3-H][11:0]							
229	485	1	12	TEMP[4-L][11:0]							
				...							
236	492	8	12	TEMP[5-L][11:0]							
237	493	9	12	TEMP[5-H][11:0]							
238	494	10	12	TEMP[6-L][11:0]							
239	495	11	12	TEMP[6-H][11:0]							
240	496	12	12	DUMMY							
241	497	13	12	DUMMY							
242	498	14	12	DUMMY							
243	499	15	12	DUMMY							
244	500	16	12	DUMMY							
245	501	17	12	DUMMY							

Remark:

- WS [m] means the waveform setting of temperature set m, the configuration are same as the definition in LUT. The corresponding low temperature range of WS[m] defined as TEMP [m-L] and high range defined as TEMP [m-H]
- Load WS [m] from OTP for LUT if Temp [m-L] < Temperature Register <= Temp [m-H]

6.9 Temperature Searching Mechanism

Legend:

WS#	Waveform Setting no. #
TR#	Temperature Range no. #
LUT	720 bit register storing the waveform setting (volatile)
Temperature register	12bit Register storing (volatile)
OTP	A non-volatile storing 7 sets of waveform setting and 6 set of temperature range
WS_sel_address	an address pointer indicating the selected WS#

Figure 6-9 : Waveform Setting and Temperature Range # mapping

OTP (non-volatile)	
WS0	
WS1	TR1
WS2	TR2
WS3	TR3
WS4	TR4
WS5	TR5
WS6	TR6

IC implementation requirement	
1	Default selection is WS0 .
2	Compare temperature register from TR1 to TR6 , in sequence. The last match will be recorded. i.e. If the temperature register fall in both TR3 and TR5. WS5 will be selected.
3	If none of the range TR1 to TR6 is match, WS0 will be selected.
User application	
1	The default waveform should be programmed as WS0.
2	There is no restriction on the sequence of TR1, TR2.... TR6.

6.10 Temperature Register Mapping

1. If the Temperature value MSByte bit D11 = 0, then

The temperature is positive and value (DegC) = + (Temperature value) / 16

2. If the Temperature value MSByte bit D11 = 1, then

The temperature is negative and value (DegC) = ~ (2's complement of Temperature value) / 16

12-bit binary (2's complement)	Hexadecimal Value	Decimal Value	Value [DegC]
0111 1111 0000	7F0	2032	127
0111 1110 1110	7EE	2030	126.875
0111 1110 0010	7E2	2018	126.125
0111 1101 0000	7D0	2000	125
0001 1001 0000	190	400	25
0000 0000 0010	002	2	0.125
0000 0000 0000	000	0	0
1111 1111 1110	FFE	-2	-0.125
1110 0111 0000	E70	-400	-25
1100 1001 0010	C92	-878	-54.875
1100 1001 0000	C90	-880	-55

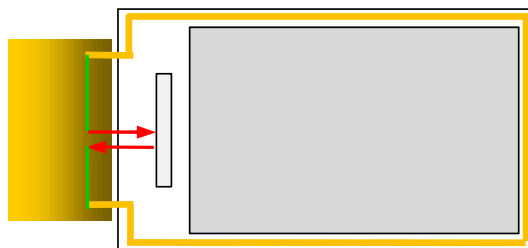
6.11 Panel Break Detection

The panel break detection function is used to detect the breakage at panel edge.

Two I/O pins TIN and TPE are used for this function. TIN pin is the sensing pin and TPE pin is the output pin for the panel break detection function. In order to use the panel break detection function, there must have an ITO trace routed around the panel edge. For this ITO trace, one point is connecting to pin TIN and another point is connecting to pin TPE through the FPC. Figure 6-10 shows the ITO routing on panel using the panel break detection function.

In the SSD1673, there is a command to execute the panel break detection function. When the panel break detection command is issued, the panel break detection will be executed. During the detection period, BUSY output is at high level. BUSY output is at low level when the detection is completed. Then, user can issue the Status Bit Read command to check the status bit for the result of panel break.

Figure 6-10 : Panel ITO routing example for panel break detection



7 COMMAND TABLE

Table 7-1: Command Table

Command Table											Command	Description
R/W#	D/C#	Hex	D7	D6	D5	D4	D3	D2	D1	D0		
0	0	01	0	0	0	0	0	0	0	1	Driver Output control	<p>Gate setting A[7:0]: MUX Gate lines setting as (A[7:0] + 1) POR = F9h + 1 MUX</p> <p>B[2:0]: Gate scanning sequence and direction</p> <p>B[2]: GD Selects the 1st output Gate GD=0 [POR], G0 is the 1st gate output channel, gate output sequence is G0,G1, G2, G3, ... GD=1, G1 is the 1st gate output channel, gate output sequence is G1, G0, G3,</p> <p>B[1]: SM Change scanning order of gate driver. SM=0 [POR], G0, G1, G2, G3...G249 (left and right gate interlaced) SM=1, G0, G2, G4 ...G248, G1, G3, ...G249</p> <p>B[0]: TB TB = 0 [POR], scan from G0 to G249 TB = 1, scan from G249 to G0.</p>
0	1		A ₇	A ₆	A ₅	A ₄	A ₃	A ₂	A ₁	A ₀		
0	1		0	0	0	0	0	B ₂	B ₁	B ₀		
0	0	03	0	0	0	0	0	0	1	1	Gate Driving voltage Control	<p>Set Gate related driving voltage</p> <p>A[4:0] = 10h [POR], VGH at 22V B[3:0] = 0Ah [POR], VGL at -20V</p>
0	1		0	0	0	A	A	A ₂	A ₁	A ₀		
0	1		0	0	0	0	B	B ₂	B ₁	B ₀		
0	0	04	0	0	0	0	0	1	0	0	Source Driving voltage Control	<p>Set Source output voltage magnitude</p> <p>A[4:0] = 19h [POR], VSH/VSL at +/-15V</p>
0	1		0	0	0	A ₄	A ₃	A ₂	A ₁	A ₀		

Command Table											Command	Description		
R/W#	D/C#	Hex	D7	D6	D5	D4	D3	D2	D1	D0				
0	0	10	0	0	0	1	0	0	0	0	Deep Sleep mode	Deep Sleep mode Control		
0	1		0	0	0	0	0	0	0	A ₀			A[0] :	Description
													0	Normal Mode [POR]
												1	Enter Deep Sleep Mode	
0	0	11	0	0	0	1	0	0	0	1	Data Entry mode setting	Define data entry sequence A [1:0] = ID[1:0] Address automatic increment / decrement setting The setting of incrementing or decrementing of the address counter can be made independently in each upper and lower bit of the address. 00 –Y decrement, X decrement, 01 –Y decrement, X increment, 10 –Y increment, X decrement, 11 –Y increment, X increment [POR] A[2] = AM Set the direction in which the address counter is updated automatically after data are written to the RAM. AM= 0, the address counter is updated in the X direction. [POR] AM = 1, the address counter is updated in the Y direction.		
0	1		0	0	0	0	0	A ₂	A ₁	A ₀				
0	0	12	0	0	0	1	0	0	1	0	SWRESET	It resets the commands and parameters to their S/W Reset default values except R10h-Deep Sleep Mode Note: RAM are unaffected by this command.		
0	0	1A	0	0	0	1	1	0	1	0	Temperature Sensor Control (Write to temperature register)	Write to temperature register. A[7:0] – MSByte 01111111[POR] B[7:0] – LSByte 11110000[POR]		
0	1		A ₇	A ₆	A ₅	A ₄	A ₃	A ₂	A ₁	A ₀				
0	1		B ₇	B ₆	B ₅	B ₄	0	0	0	0				

Command Table																											
R/W#	D/C#	Hex	D7	D6	D5	D4	D3	D2	D1	D0	Command	Description															
0	0	20	0	0	1	0	0	0	0	0	Master Activation	<p>Activate Display Update Sequence</p> <p>The Display Update Sequence Option is located at R22h</p> <p>User should not interrupt this operation to avoid corruption of panel images.</p>															
0	0	21	0	0	1	0	0	0	0	1	Display Update Control	<p>Option for Display Update Bypass Option used for Pattern Display, which is used for display the RAM content into the Display</p> <p>OLD RAM Bypass option A [7] A[7] = 1: Enable bypass A[7] = 0: Disable bypass [POR]</p> <p>NEW RAM Bypass option A[6] = 1: Enable bypass A[6] = 0: Disable bypass [POR]</p> <p>A[5] value will be used as Old RAM for bypass. A[5] = 0 [POR]</p> <p>A[4] value will be used as New RAM for bypass. A[4] = 0 [POR]</p> <p>A[3]: the inverse option for OLD RAM A[3] = 1: Enable inverse A[3] = 0: Disable inverse [POR]</p> <p>A[2]: the inverse option for NEW RAM A[2] = 1: Enable inverse A[2] = 0: Disable inverse [POR]</p> <p>A[1:0] Initial Update Option - Source Control</p> <table border="1"> <thead> <tr> <th>A[1:0]</th> <th>GSC</th> <th>GSD</th> </tr> </thead> <tbody> <tr> <td>00</td> <td>GS0</td> <td>GS0</td> </tr> <tr> <td>01 [POR]</td> <td>GS0</td> <td>GS1</td> </tr> <tr> <td>10</td> <td>GS1</td> <td>GS0</td> </tr> <tr> <td>11</td> <td>GS1</td> <td>GS1</td> </tr> </tbody> </table>	A[1:0]	GSC	GSD	00	GS0	GS0	01 [POR]	GS0	GS1	10	GS1	GS0	11	GS1	GS1
A[1:0]	GSC	GSD																									
00	GS0	GS0																									
01 [POR]	GS0	GS1																									
10	GS1	GS0																									
11	GS1	GS1																									
0	1		A7	A6	A5	A4	A3	A2	A1	A0	1																

Command Table											Command	Description			
R/W#	D/C#	Hex	D7	D6	D5	D4	D3	D2	D1	D0					
0	0	22	0	0	1	0	0	0	1	0	Display Update Control 2	Display Update Sequence Option: Enable the stage for Master Activation			
0	1		A ₇	A ₆	A ₅	A ₄	A ₃	A ₂	A ₁	A ₀					
														Parameter (in Hex)	
														Enable Clock Signal, Then Enable CP Then Load Temperature value Then Load LUT Then INITIAL DISPLAY Then PATTERN DISPLAY Then Disable CP Then Disable OSC	FF [POR]
														Enable Clock Signal, Then Enable CP Then Load Temperature value Then Load LUT Then PATTERN DISPLAY Then Disable CP Then Disable OSC	F7
														To Enable Clock Signal (CLKEN=1)	80
														To Enable Clock Signal, then Enable CP (CLKEN=1, CPEN=1)	C0
														To INITIAL DISPLAY + PATTEN DISPLAY	0C
														To INITIAL DISPLAY	08
														To DISPLAY PATTEN	04
												To Disable CP, then Disable Clock Signal (CLKEN=1, CPEN=1)	03		
												To Disable Clock Signal (CLKEN=1)	01		
												Remark: CLKEN=1: If CLS=VDDIO then Enable OSC If CLS=VSS then Enable External Clock CLKEN=0: If CLS=VDDIO then Disable OSC AND INTERNAL CLOCK Signal = VSS,			
0	0	23	0	0	1	0	0	0	1	1	Panel Break Detection	After this command, panel break detection starts. During detection, BUSY pad will output high. The command required CLKEN=1.			
0	0	24	0	0	1	0	0	1	0	0	Write RAM	After this command, data entries will be written into the RAM until another command is written. Address pointers will advance accordingly.			

Command Table																				
R/W#	D/C#	Hex	D7	D6	D5	D4	D3	D2	D1	D0	Command	Description								
0	0	28	0	0	1	0	1	0	0	0	VCOM Sense	Enter VCOM sensing conditions and hold for duration defined in 29h before reading VCOM value. The sensed VCOM voltage is stored in register The command required CLKEN=1.								
0	0	29	0	0	1	0	1	0	0	1	VCOM Sense Duration	Stabling time between entering VCOM sensing mode and reading acquired. VCOM sense duration = Setting + 1 Seconds A[3:0] = 09h [POR], duration = 10s								
0	1		0	0	0	0	A ₃	A ₂	A ₁	A ₀										
0	0	2C	0	0	1	0	1	0	1	1	Write VCOM register	Write VCOM register from MCU interface								
0	1		A ₇	A ₆	A ₅	A ₄	A ₃	A ₂	A ₁	A ₀										
0	0	2F	0	0	1	0	1	0	0	1	Status Bit Read	A[3]: Panel-Break flag (POR=0) 0: Normal 1: Broken A[1:0]: Chip ID (POR=01)								
1	1		0	0	0	0	A ₃	0	A ₁	A ₀										
0	0	30	0	0	1	1	0	0	0	0	Program WS OTP	Program OTP of Waveform Setting The contents should be written into RAM before sending this command.								
0	0	32	0	0	1	1	0	0	1	0	Write LUT register	Write LUT register from MCU interface [30 bytes] (excluding the VSH/VSL and Dummy bit)								
0	1		A ₇	A ₆	A ₅	A ₄	A ₃	A ₂	A ₁	A ₀										
0	1		B ₇	B ₆	B ₅	B ₄	B ₃	B ₂	B ₁	B ₀										
0	1		:	:	:	:	:	:	:	:										
0	1											
0	0	36	0	0	1	1	0	1	1	0	Program OTP selection	Program OTP Selection according to the OTP Selection Control [R37h]								
0	0	37	0	0	1	1	0	1	1	1	OTP selection Control	Write the OTP Selection: <table border="1" style="width: 100%; border-collapse: collapse;"> <tr> <td style="width: 50%;">A[7]=1</td> <td>spare VCOM OTP</td> </tr> <tr> <td>A[6]</td> <td>VCOM_Status</td> </tr> <tr> <td>A[5]=1</td> <td>spare WS OTP</td> </tr> <tr> <td>A[4]</td> <td>WS_Status</td> </tr> </table> A[3:0] are reserved OTP bit. User can treat the bits as Version Control.	A[7]=1	spare VCOM OTP	A[6]	VCOM_Status	A[5]=1	spare WS OTP	A[4]	WS_Status
A[7]=1	spare VCOM OTP																			
A[6]	VCOM_Status																			
A[5]=1	spare WS OTP																			
A[4]	WS_Status																			
0	1		A ₇	A ₆	A ₅	A ₄	A ₃	A ₂	A ₁	A ₀										

Command Table											Command	Description																									
R/W#	D/C#	Hex	D7	D6	D5	D4	D3	D2	D1	D0																											
0	0	3A	0	0	1	1	1	0	1	0	Set dummy line period	Set number of dummy line period A[6:0]: Number of dummy line period in term of TGate A[6:0] = 06h [POR] Available setting 0 to 127.																									
0	1		0	A ₆	A ₅	A ₄	A ₃	A ₂	A ₁	A ₀																											
0	0	3B	0	0	1	1	1	0	1	1	Set Gate line width	Set Gate line width (TGate) A[3:0] Line width in us <table border="1"> <tr> <td>A[3:0]</td> <td>TGate / us</td> </tr> <tr> <td>1011</td> <td>78 [POR]</td> </tr> </table> Remark: Default value will give 50Hz Frame frequency under 6 dummy line pulse setting.	A[3:0]	TGate / us	1011	78 [POR]																					
A[3:0]	TGate / us																																				
1011	78 [POR]																																				
0	1		0	0	0	0	A ₃	A ₂	A ₁	A ₀																											
0	0	3C	0	0	1	1	1	1	0	0	Border Waveform Control	Select border waveform for VBD A [7] Follow Source at Initial Update Display A [7]=0: [POR] A [7]=1: Follow Source at Initial Update Display for VBD, A [6:0] setting are being overridden at Initial Display STAGE. A [6] Select GS Transition/ Fix Level for VBD A [6]=0: Select GS Transition A[3:0] for VBD A [6]=1: Select FIX level Setting A[5:4] for VBD [POR] A [5:4] Fix Level Setting for VBD <table border="1"> <tr> <td>A[5:4]</td> <td>VBD level</td> </tr> <tr> <td>00</td> <td>VSS</td> </tr> <tr> <td>01</td> <td>VSH</td> </tr> <tr> <td>10</td> <td>VSL</td> </tr> <tr> <td>11[POR]</td> <td>HiZ</td> </tr> </table> A [1:0] GS transition setting for VBD (Select waveform like data A[3:2] to data A[1:0]) <table border="1"> <tr> <td>A[1:0]</td> <td>GSA</td> <td>GSB</td> </tr> <tr> <td>00</td> <td>GS0</td> <td>GS0</td> </tr> <tr> <td>01 [POR]</td> <td>GS0</td> <td>GS1</td> </tr> <tr> <td>10</td> <td>GS1</td> <td>GS0</td> </tr> <tr> <td>11</td> <td>GS1</td> <td>GS1</td> </tr> </table>	A[5:4]	VBD level	00	VSS	01	VSH	10	VSL	11[POR]	HiZ	A[1:0]	GSA	GSB	00	GS0	GS0	01 [POR]	GS0	GS1	10	GS1	GS0	11	GS1	GS1
A[5:4]	VBD level																																				
00	VSS																																				
01	VSH																																				
10	VSL																																				
11[POR]	HiZ																																				
A[1:0]	GSA	GSB																																			
00	GS0	GS0																																			
01 [POR]	GS0	GS1																																			
10	GS1	GS0																																			
11	GS1	GS1																																			
0	1		A ₇	A ₆	A ₅	A ₄	0	0	A ₁	A ₀																											

Command Table												
R/W#	D/C#	Hex	D7	D6	D5	D4	D3	D2	D1	D0	Command	Description
0	0	44	0	1	0	0	0	1	0	0	Set RAM X - address Start / End position	Specify the start/end positions of the window address in the X direction by an address unit A[4:0]: X-Start, POR = 00h B[4:0]: X-End, POR = 12h
0	1		0	0	0	A ₄	A ₃	A ₂	A ₁	A ₀		
0	1		0	0	0	B ₄	B ₃	B ₂	B ₁	B ₀		
0	0	45	0	1	0	0	0	1	0	1	Set Ram Y- address Start / End position	Specify the start/end positions of the window address in the Y direction by an address unit A[7:0]: Y-Start, POR = 00h B[7:0]: Y-End, POR = F9h
0	1		A ₇	A ₆	A ₅	A ₄	A ₃	A ₂	A ₁	A ₀		
0	1		B ₇	B ₆	B ₅	B ₄	B ₃	B ₂	B ₁	B ₀		
0	0	4E	0	1	0	0	1	1	1	0	Set RAM X address counter	Make initial settings for the RAM X address in the address counter (AC) A[4:0]: POR is 00h
0	1		0	0	0	A ₄	A ₃	A ₂	A ₁	A ₀		
0	0	4F	0	1	0	0	1	1	1	1	Set RAM Y address counter	Make initial settings for the RAM Y address in the address counter (AC) A[7:0]: POR is 00h
0	1		A ₇	A ₆	A ₅	A ₄	A ₃	A ₂	A ₁	A ₀		

8 COMMAND DESCRIPTION

8.1 Driver Output Control (01h)

This double byte command has multiple configurations and each bit setting is described as follows:

R/W	DC	IB7	IB6	IB5	IB4	IB3	IB2	IB1	IB0
W	1	MUX[7]	MUX[6]	MUX[5]	MUX[4]	MUX[3]	MUX[2]	MUX[1]	MUX[0]
POR		1	1	1	1	1	0	0	1
W	DC						GD	SM	TB
POR							0	0	0

MUX[7:0]:

Specify number of lines for the driver: MUX[7:0] + 1. Multiplex ratio (MUX ratio) from 16 MUX to 250MU

GD:

Selects the 1st output Gate

This bit is made to match the GATE layout connection on the panel. It defines the first scanning line.

SM:

Change scanning order of gate driver.

When SM is set to 0, left and right interlaced is performed.

When SM is set to 1, no splitting odd / even of the GATE signal is performed,

Output pin assignment sequence is shown as below (for 250 MUX ratio):

	SM=0	SM=0	SM=1	SM=1
Driver	GD=0	GD=1	GD=0	GD=1
G0	ROW0	ROW1	ROW0	ROW125
G1	ROW1	ROW0	ROW125	ROW0
G2	ROW2	ROW3	ROW1	ROW126
G3	ROW3	ROW2	ROW126	ROW1
:	:	:	:	:
G123	ROW123	ROW122	ROW186	ROW61
G124	ROW124	ROW125	ROW62	ROW187
G125	ROW125	ROW124	ROW187	ROW62
G126	ROW126	ROW127	ROW63	ROW188
:	:	:	:	:
G246	ROW246	ROW247	ROW123	ROW248
G247	ROW247	ROW246	ROW248	ROW123
G248	ROW248	ROW249	ROW124	ROW249
G249	ROW249	ROW248	ROW249	ROW124

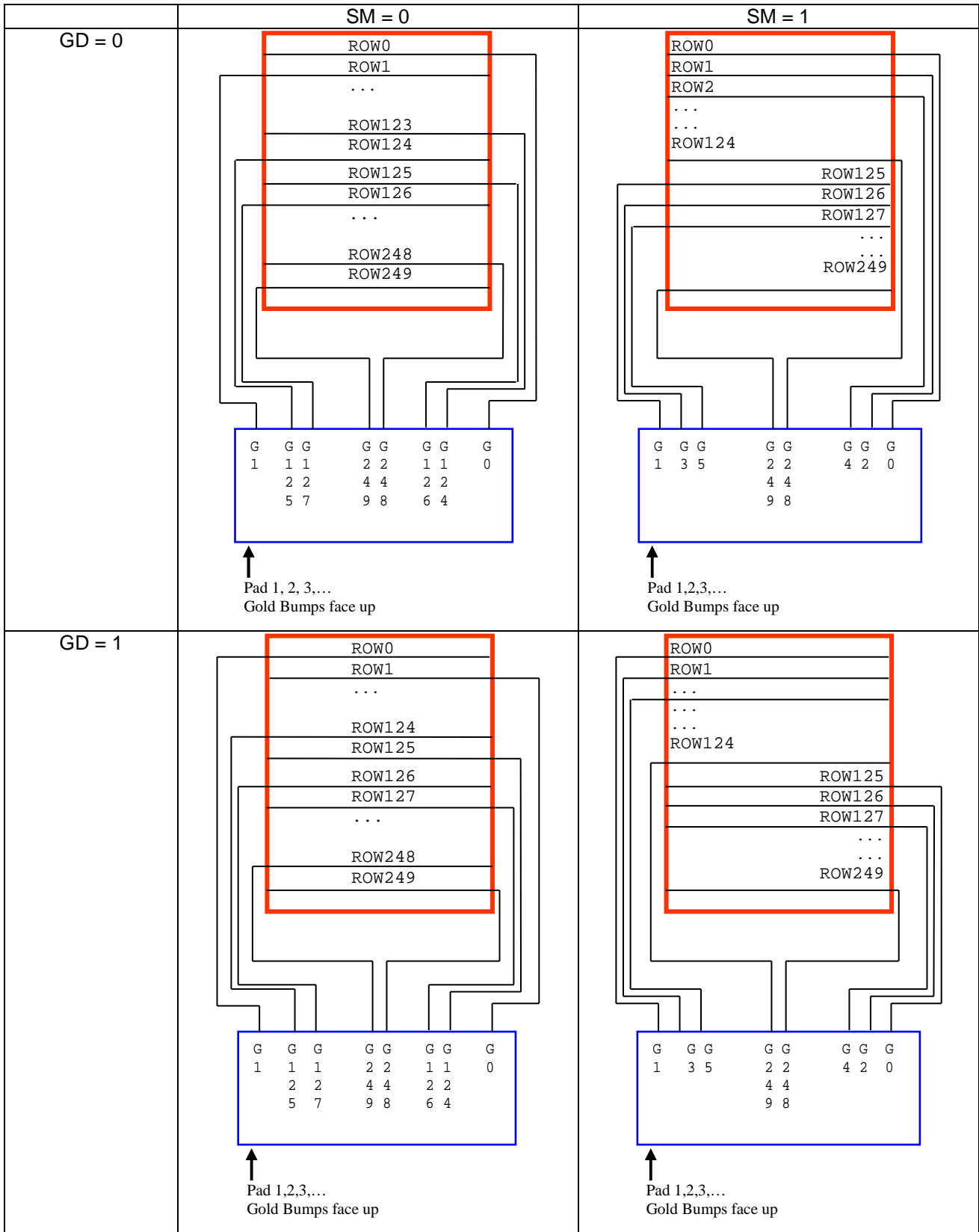
See "Scan Mode Setting" on next page.

TB:

Change scanning direction of gate driver.

This bit defines the scanning direction of the gate for flexible layout of signals in module either from up to down (TB = 0) or from bottom to up (TB = 1).

Figure 8-1: Output pin assignment on different Scan Mode Setting



8.2 Gate Scan Start Position (0Fh)

R/W	DC	IB7	IB6	IB5	IB4	IB3	IB2	IB1	IB0
W	1	SCN7	SCN6	SCN5	SCN4	SCN3	SCN2	SCN1	SCN0
POR		0	0	0	0	0	0	0	0

This command is to set Gate Start Position for determining the starting gate of display RAM by selecting a value from 0 to 249. Figure 8-2 shows an example using this command of this command when MUX ratio= 250 and MUX ratio= 125 “ROW” means the graphic display data RAM row.

Figure 8-2: Example of Set Display Start Line with no Remapping

GATE Pin	MUX ratio (01h) = F9h	MUX ratio (01h) = 7Ch	MUX ratio (01h) = 7Ch
	Gate Start Position (0Fh) = 000h	Gate Start Position (0Fh) = 000h	Gate Start Position (0Fh) = 046h
G0	ROW0	ROW0	-
G1	ROW1	ROW1	-
G2	ROW2	ROW2	-
G3	ROW3	ROW3	-
:	:	:	:
:	:	:	:
G68	:	:	-
G69	:	:	-
G70	:	:	ROW70
G71	:	:	ROW71
:	:	:	:
:	:	:	:
G123	ROW123	ROW123	:
G124	ROW124	ROW124	:
G125	ROW125	-	:
G126	ROW126	-	:
:	:	:	:
:	:	:	:
G219	:	:	ROW219
G220	:	:	ROW220
G221	:	:	-
G222	:	:	-
:	:	:	:
:	:	:	:
G246	ROW246	-	-
G247	ROW247	-	-
G248	ROW248	-	-
G249	ROW249	-	-
Display Example			

8.3 Data Entry Mode Setting (11h)

This command has multiple configurations and each bit setting is described as follows:

R/W	DC	IB7	IB6	IB5	IB4	IB3	IB2	IB1	IB0
W	1						AM	ID1	ID0
POR		0	0	0	0	0	0	0	0

ID[1:0]: The address counter is automatically incremented by 1, after data is written to the RAM when ID[1:0] = "01". The address counter is automatically decremented by 1, after data is written to the RAM when ID[1:0] = "00". The setting of incrementing or decrementing of the address counter can be made independently in each upper and lower bit of the address. The direction of the address when data is written to the RAM is set by AM bits.

AM: Set the direction in which the address counter is updated automatically after data are written to the RAM. When AM = "0", the address counter is updated in the X direction. When AM = "1", the address counter is updated in the Y direction. When window addresses are selected, data are written to the RAM area specified by the window addresses in the manner specified with ID[1:0] and AM bits.

	ID [1:0]="00" X: decrement Y: decrement	ID [1:0]="01" X: increment Y: decrement	ID [1:0]="10" X: decrement Y: increment	ID [1:0]="11" X: increment Y: increment
AM="0" X-mode	00,00h 12, F9h	00,00h 12, F9h	00,00h 12, F9h	00,00h 12, F9h
AM="1" Y-mode	00,00h 12, F9h	00,00h 12, F9h	00,00h 12, F9h	00,00h 12, F9h

The pixel sequence is defined by the ID [0],

	ID[1:0]="00" X: decrement Y: decrement	ID[1:0]="01" X: increment Y: decrement
AM="0" X-mode	00,00h 12, F9h	00,00h 12, F9h

8.4 Set RAM X - Address Start / End Position (44h)

R/W	DC	IB7	IB6	IB5	IB4	IB3	IB2	IB1	IB0
W	1				XSA4	XSA3	XSA2	XSA1	XSA0
POR		0	0	0	0	0	0	0	0
W	1				XEA4	XEA3	XEA2	XEA1	XEA0
POR		0	0	0	1	0	0	1	0

XSA[4:0]/XEA[4:0]: Specify the start/end positions of the window address in the X direction by 8 times address unit. Data is written to the RAM within the area determined by the addresses specified by XSA [4:0] and XEA [4:0]. These addresses must be set before the RAM write.

It allows on XEA [4:0] ≤ XSA [4:0]. The settings follow the condition on 00h ≤ XSA [4:0], XEA [4:0] ≤ 12h. The windows is followed by the control setting of Data Entry Setting (R11h)

8.5 Set RAM Y - Address Start / End Position (45h)

R/W	DC	IB7	IB6	IB5	IB4	IB3	IB2	IB1	IB0
W	1	YSA7	YSA6	YSA5	YSA4	YSA3	YSA2	YSA1	YSA0
POR		0	0	0	0	0	0	0	0
W	1	YEA7	YEA6	YEA5	YEA4	YEA3	YEA2	YEA1	YEA0
POR		1	1	1	1	1	0	0	1

YSA[7:0]/YEA[7:0]: Specify the start/end positions of the window address in the Y direction by an address unit. Data is written to the RAM within the area determined by the addresses specified by YSA [7:0] and YEA [7:0]. These addresses must be set before the RAM write.

It allows YEA [7:0] ≤ YSA [7:0]. The settings follow the condition on 00h ≤ YSA [7:0], YEA [7:0] ≤ F9h. The windows is followed by the control setting of Data Entry Setting (R11h)

8.6 Set RAM Address Counter (4Eh-4Fh)

Reg#	R/W	DC	IB7	IB6	IB5	IB4	IB3	IB2	IB1	IB0
4Eh	W	1				XAD4	XAD3	XAD2	XAD1	XAD0
	POR		0	0	0	0	0	0	0	0
4Fh	W	1	YAD7	YAD6	YAD5	YAD4	YAD3	YAD2	YAD1	YAD0
	POR		0	0	0	0	0	0	0	0

XAD[4:0]: Make initial settings for the RAM X address in the address counter (AC).

YAD[7:0]: Make initial settings for the RAM Y address in the address counter (AC).

After RAM data is written, the address counter is automatically updated according to the settings with AM, ID bits and setting for a new RAM address is not required in the address counter. Therefore, data is written consecutively without setting an address. The address counter is not automatically updated when data is read out from the RAM. RAM address setting cannot be made during the standby mode. The address setting should be made within the area designated with window addresses which is controlled by the Data Entry Setting (R11h) {AM, ID[1:0]}; RAM Address XStart / XEnd Position (R44h) and RAM Address Ystart /Yend Position (R45h). Otherwise undesirable image will be displayed on the Panel.

9 Typical Operating Sequence

9.1 Normal Display

Sequence	Action by	Command	Action Description	Remark
1	User	-	Power on (VCI supply);	
2	User	-	HW Reset	
	IC		After HW reset, the IC will have Registers load with POR value Ready for command input VCOM register loaded with OTP value IC enter idle mode	
3		-	Send initial code to driver including setting of	
	User	C 01	Command: Panel configuration (MUX, Source gate scanning direction)	
	User	C 3A	Command: Set dummy line pulse period	
	User	C 3B	Command: Set Gate line width	
	User	C 3C	Command: Select Border waveform	
4		-	Data operations	
	User	C 11	Command: Data Entry mode	
	User	C 44	Command: X RAM address start /end	
	User	C 45	Command: Y RAM address start /end	
	User	C 4E	Command: RAM X address counter	
	User	C 4F	Command: RAM Y address counter	
	User	C 24	Command: write display data to RAM	
				Ram Content for Display
5	User	C 22	Command: Display Update Control 2	
	User	C 20	Command: Master Activation	
	IC	-	Booster and regulators turn on	
	IC	-	Load LUT register with corresponding waveform setting stored in OTP)	
	IC	-	Send output waveform according initial update option	
	IC	-	Send output waveform according to data	
	IC	-	Booster and Regulators turn off	
	IC	-	Back to idle mode	
6	User	-	IC power off;	

9.2 VCOM OTP Program

Sequence	Action by	Command	Action Description	Remark
1	User	-	Power on (VCI and VPP supply)	
2	User	-	HW Reset	
3	User	C 22 D 80 C 20	Command: CLKEN=1	
	User	-	Wait until BUSY = L	
4	User	C 37	Proceed OTP sequence. Command: Indicate which OTP location to be use (default or spare)	OTP selection register
5	User	C 36	Program OTP selection register	
	User	-	Wait until BUSY = L	
	User	-	Power OFF (VPP supply)	
6		-	Send initial code to driver including setting of (or leave as POR)	VCOM sensing should have same setting during application
	User	C 22 D 40	Command: Booster on and High voltage ready	
	User	C 01	Command: Panel configuration (MUX, Source gate scanning direction)	
	User	C 03	Command: VGH, VGL voltage	
	User	C 04	Command: VSH / VSL voltage	
	User	C 3A	Command: Set dummy line pulse period	
	User	C 3B	Command: Set Set 1 Gate line duration as default	
	User	C 32	VCOM sense required full set of LUT for operation, USER required writing LUT in register 32h	
		-	LUT parameter	
	User	C 20	Perform the turn off analog operation (assigned by R22h) [Enable Analog blocks]	
	User	-	Wait until BUSY = L	
7	User	C 29	Command: Set Set the VCOM Sensing time	
8	User	C 28	Command: Enter VCOM sensing mode	
	IC	-	VCOM pin in sensing mode	
	IC	-	All Source cell have VSS output	
			All Gate scanning continuously	
	IC	-	Wait for 10s	According to R29h
	IC	-	Detect VCOM voltage and store in register	
	IC	-	All Gate Stop Scanning.	
User	-	Wait until BUSY = L		
9	User	C 22 D 02 C 20	Command: Booster and High voltage disable	
	User	-	Wait until BUSY = L	
	User	-	Power On (VPP supply)	
10	User	C 2A	Command: VCOM OTP program	
	User	-	Wait until BUSY = L	
11	User	C 22 D 01 C 20	Command: CLKEN=0	
	User	-	Wait until BUSY = L	
12	User	-	IC power off (VCI and VPP Supply)	

9.3 WS OTP Program

Sequence	Action by	Command	Action Description	Remark
1	User	-	Power on (VCI supply)	
2	User	-	Power on (VPP supply)	
3	User	-	HW Reset	
4	User	C 22 D 80 C 20	Command: CLKEN=1	
	User	-	Wait BUSY = L	
4	User	C 37	Proceed OTP sequence. Command: Indicate which OTP location to be use (default or spare)	OTP selection register
5	User	C 36	Program OTP selection register	
	User	-	Wait BUSY = L	
6	User	C 24	Write corresponding data into RAM	
			Following specific format	
			Write into RAM	
			Full LUT	
7	User	C 4E D 00 C 4F D 00	Command: Initial Ram address counter	
8	User	C 30	Waveform Setting OTP programming	
	User	-	Wait BUSY = L	
9	User	C 22 D 01 C 20	Command: CLKEN=0	
	User	-	Wait BUSY = L	
10	User	-	Power off VPP and VCI	

10 ABSOLUTE MAXIMUM RATING

Table 10-1: Maximum Ratings

Symbol	Parameter	Rating	Unit
V _{CI}	Logic supply voltage	-0.5 to +4.0	V
V _{IN}	Logic Input voltage	-0.5 to V _{DDIO} +0.5	V
V _{OUT}	Logic Output voltage	-0.5 to V _{DDIO} +0.5	V
T _{OPR}	Operation temperature range	-40 to +85	°C
T _{STG}	Storage temperature range	-65 to +150	°C

Maximum ratings are those values beyond which damages to the device may occur. Functional operation should be restricted to the limits in the Electrical Characteristics tables or Pin Description section

This device contains circuitry to protect the inputs against damage due to high static voltages or electric fields; however, it is advised that normal precautions be taken to avoid application of any voltage higher than maximum rated voltages to this high impedance circuit. For proper operation it is recommended that V_{CI} be constrained to the range V_{SS} < V_{CI}. Reliability of operation is enhanced if unused input is connected to an appropriate logic voltage level (e.g., either V_{SS} or V_{DDIO}). Unused outputs must be left open. This device may be light sensitive. Caution should be taken to avoid exposure of this device to any light source during normal operation. This device is not radiation protected.

11 DC CHARACTERISTICS

The following specifications apply for: VSS=0V, VCI=3.0V, VDD=1.8V, T_{OPR}=25°C.

Table 11-1: DC Characteristics

Symbol	Parameter	Test Condition	Applicable pin	Min.	Typ.	Max.	Unit
V _{SS}	Ground				0		V
V _{CI}	VCI operation voltage		VCI	2.4	3.0	3.7	V
V _{DD}	VDD operation voltage		VDD	1.7	1.8	1.9	V
V _{COM}	VCOM output voltage		VCOM	-4.0		-0.2	V
V _{GATE}	Gate output voltage		G0-249	-20		+22	V
V _{GATE(p-p)}	Gate output peak to peak voltage		G0-249			42	V
V _{SH}	Positive Source output voltage		S0-149		15		V
V _{SL}	Negative Source output voltage		S0-149		-VSH		V
V _{IH}	High level input voltage	VCI = VDDIO		0.8V _{DDIO}			V
V _{IL}	Low level input voltage	VCI = VDDIO				0.2V _{DDIO}	V
V _{OH}	High level output voltage	VCI = VDDIO IOH = -100uA		0.9V _{DDIO}			V
V _{OL}	Low level output voltage	VCI = VDDIO IOL = 100uA				0.1V _{DDIO}	V
V _{PP}	OTP Program voltage		VPP		7.5		V
D _{Islp_VCI}	Deep sleep mode current	- DC/DC off - No clock, - No output load - No MCU interface access - RAM data retain only and cannot access the RAM	VCI		2	5	uA
I _{slp_VCI}	Sleep mode current	- DC/DC off - No clock - No output load - MCU interface access - RAM data access	VCI		35	50	uA

Symbol	Parameter	Test Condition	Applicable pin	Min.	Typ.	Max.	Unit
Iopr_VCI	Operating current	- DC/DC on - VGH=22V - VGL=-20V - VSH=15V - VSL=-15V - VCOM = -2V - No waveform transitions. - No loading. - No RAM read/write - No OTP read /write - Osc on - Bandgap on	VCI		2000		uA
V _{GH}	Operating Mode	VCI=3.0V	VGH	21	22	23	V
V _{SH}	Output Voltage	DC/DC on	VSH	14.5	15	15.5	V
V _{COM}		VGH=22V	VCOM	-2.5	-2	-1.5	V
V _{SL}		VGL=-20V	VSL	-15.5	-15	-14.5	V
V _{GL}		VSH=15V VSL=-15V VCOM = -2V No waveform transitions. No loading. Osc on Bandgap on	VGL	-21	-20	-19	V

Table 11-2: Regulators Characteristics

Symbol	Parameter	Test Condition	Applicable pin	Min.	Typ.	Max.	Unit
IVGH	VGH current	VGH = 22V	VGH			400	uA
IVGL	VGL current	VGL = -20V	VGL			600	uA
IVSH	VSH current	VSH = +15V	VSH			4000	uA
IVSL	VSL current	VSL = -15V	VSL			4000	uA
IVCOM	VCOM current	VCOM = -2V	VCOM			100	uA

12 AC CHARACTERISTICS

12.1 Oscillator frequency

The following specifications apply for: $V_{SS}=0V$, $V_{CI}=3.0V$, $V_{DD}=1.8V$, $T_{OPR}=25^{\circ}C$.

Table 12-1: Oscillator Frequency

Symbol	Parameter	Test Condition	Applicable pin	Min.	Typ.	Max.	Unit
Fosc	Internal Oscillator frequency	$V_{CI}=2.4$ to $3.7V$	CL	0.95	1	1.05	MHz

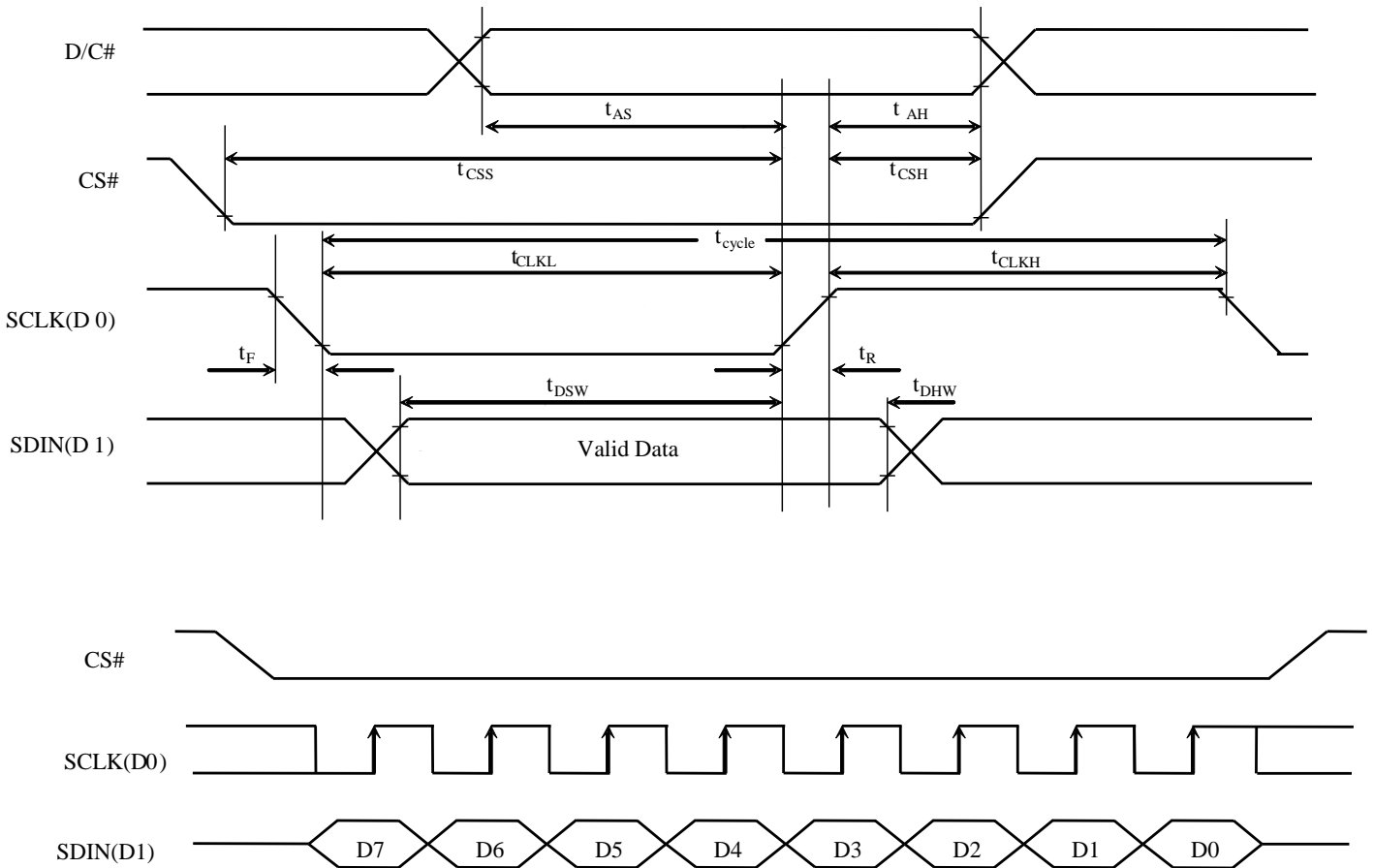
12.2 Interface Timing

Table 12-2 : Serial Peripheral Interface Timing Characteristics

($V_{DDIO} - V_{SS} = 2.4V$ to $3.7V$, $T_{OPR} = 25^{\circ}C$, $C_L=20pF$)

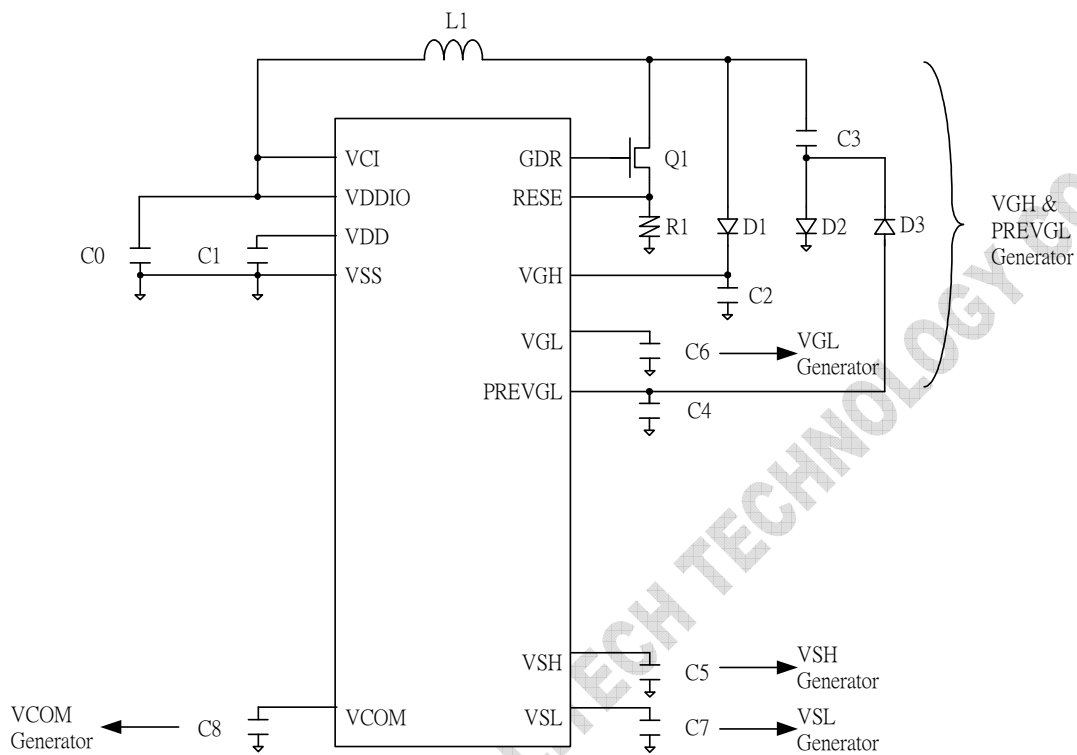
Symbol	Parameter	Min	Typ	Max	Unit
t_{cycle}	Clock Cycle Time	250	-	-	ns
t_{AS}	Address Setup Time	150	-	-	ns
t_{AH}	Address Hold Time	150	-	-	ns
t_{CSS}	Chip Select Setup Time	120	-	-	ns
t_{CSH}	Chip Select Hold Time	60	-	-	ns
t_{DSW}	Write Data Setup Time	50	-	-	ns </td
t_{DHW}	Write Data Hold Time	15	-	-	ns
t_{CLKL}	Clock Low Time	100	-	-	ns
t_{CLKH}	Clock High Time	100	-	-	ns
t_R	Rise Time [20% ~ 80%]	-	-	15	ns
t_F	Fall Time [20% ~ 80%]	-	-	15	ns

Figure 12-1 : Serial peripheral interface characteristics



13 APPLICATION CIRCUIT

Figure 13-1 : Booster Connection Diagram



Confidential to JIANGXI HOLTECH TECHNOLOGY CO., LTD

Table 13-1 : Reference Component Value

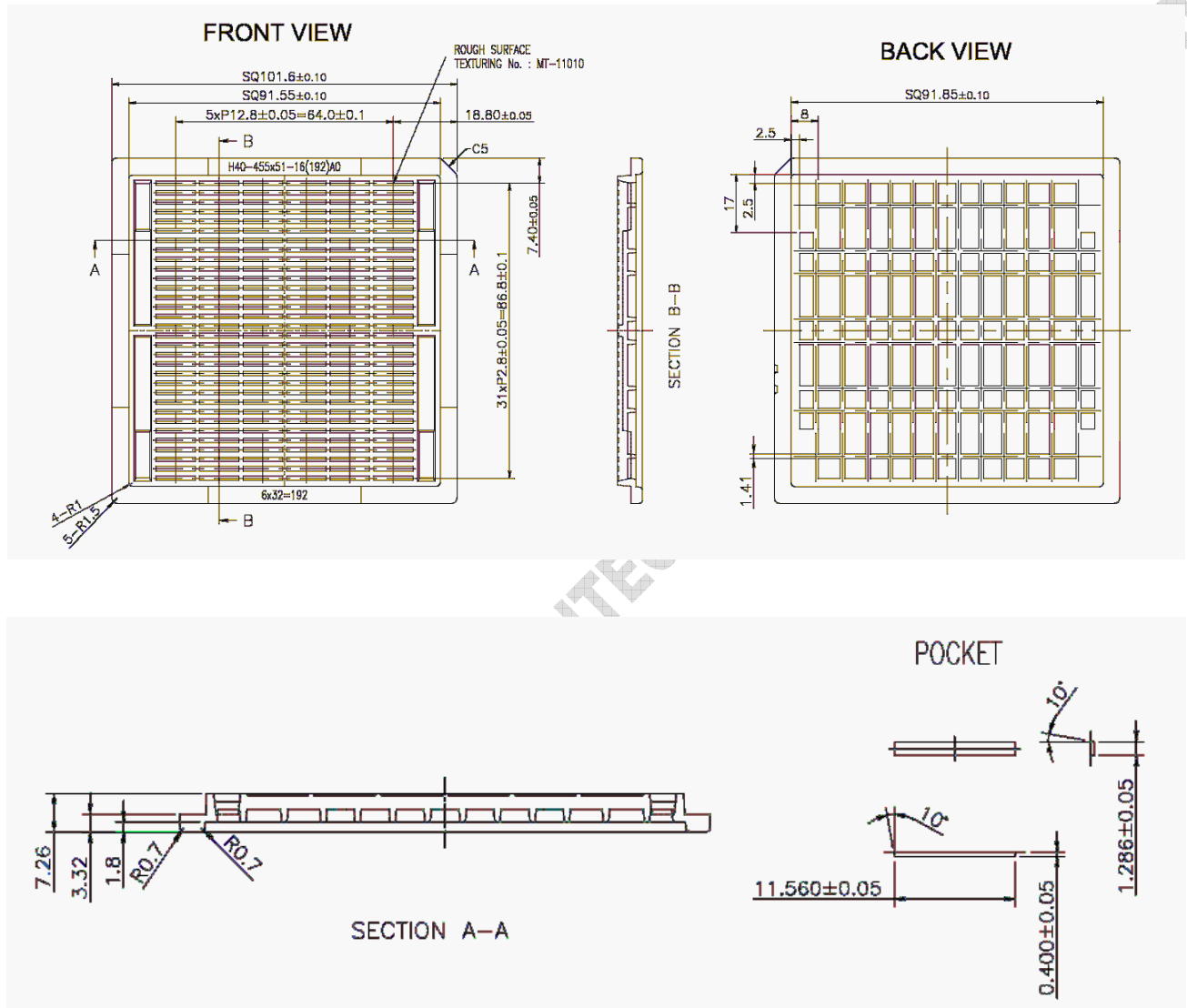
Part Name	Value	Max Volt. Rating [In V]	Pins Connected	MAX COG ITO resistance [in Ohm]
C0	1uF	6	VCI, VDDIO, VSS	5
C1	1uF	6	VDD, VSS	30
C2	1uF	50	VGH	5
C3	1uF	50	L1 and D2/D3	NA
C4	1uF	50	PREVGL	5
C5	1uF	25	VSH	5
C6	1uF	25	VGL	10
C7	1uF	25	VSL	5
C8	1uF	6	VCOM	5
L1	47uH			
Q1	NMOS [Vishay: Si1304BDL]		GDR, RESE	5
D1	Diode [OnSemi: MBR0530]		PREVGH	NA
D2	Diode [OnSemi: MBR0530]			NA
D3	Diode [OnSemi: MBR0530]		PREVGL, VSS	NA
R1	2.2 Ohm		RESE	5

Confidential to JIANGXI HOLITECH TECHNOLOGY CO., LTD

14 PACKAGE INFORMATION

14.1 DIE TRAY DIMENSIONS

Figure 14-1 : SSD1673Z die tray information



Confidential

Solomon Systech reserves the right to make changes without notice to any products herein. Solomon Systech makes no warranty, representation or guarantee regarding the suitability of its products for any particular purpose, nor does Solomon Systech assume any liability arising out of the application or use of any product or circuit, and specifically disclaims any, and all, liability, including without limitation consequential or incidental damages. "Typical" parameters can and do vary in different applications. All operating parameters, including "Typical" must be validated for each customer application by the customer's technical experts. Solomon Systech does not convey any license under its patent rights nor the rights of others. Solomon Systech products are not designed, intended, or authorized for use as components in systems intended for surgical implant into the body, or other applications intended to support or sustain life, or for any other application in which the failure of the Solomon Systech product could create a situation where personal injury or death may occur. Should Buyer purchase or use Solomon Systech products for any such unintended or unauthorized application, Buyer shall indemnify and hold Solomon Systech and its offices, employees, subsidiaries, affiliates, and distributors harmless against all claims, costs, damages, and expenses, and reasonable attorney fees arising out of, directly or indirectly, any claim of personal injury or death associated with such unintended or unauthorized use, even if such claim alleges that Solomon Systech was negligent regarding the design or manufacture of the part.



The product(s) listed in this datasheet comply with Directive 2011/65/EU of the European Parliament and of the council of 8 June 2011 on the restriction of the use of certain hazardous substances in electrical and electronic equipment and People's Republic of China Electronic Industry Standard SJ/T 11363-2006 "Requirements for concentration limits for certain hazardous substances in electronic information products (电子信息产品中有毒有害物质的限量要求)". Hazardous Substances test report is available upon request.

<http://www.solomon-systech.com>